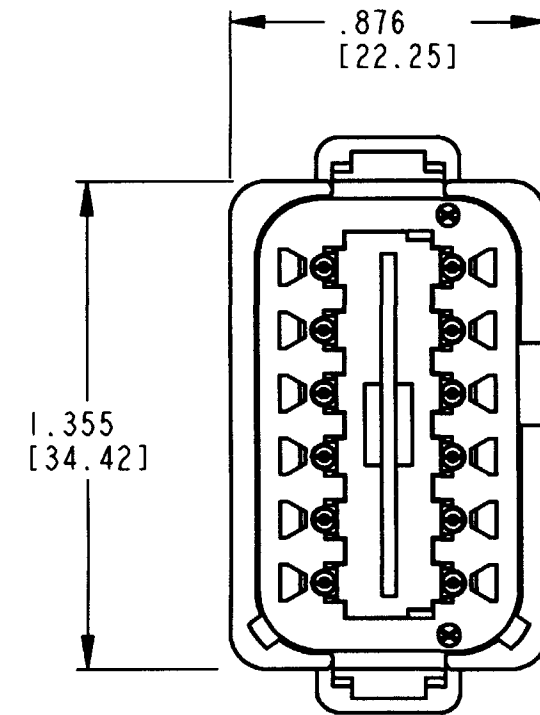
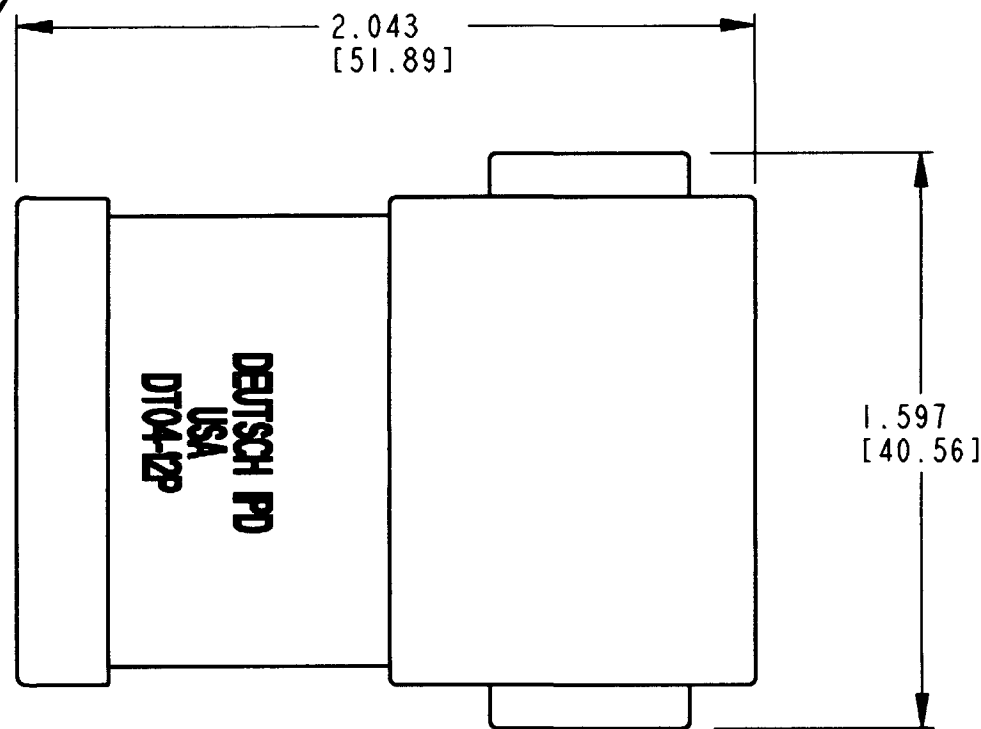
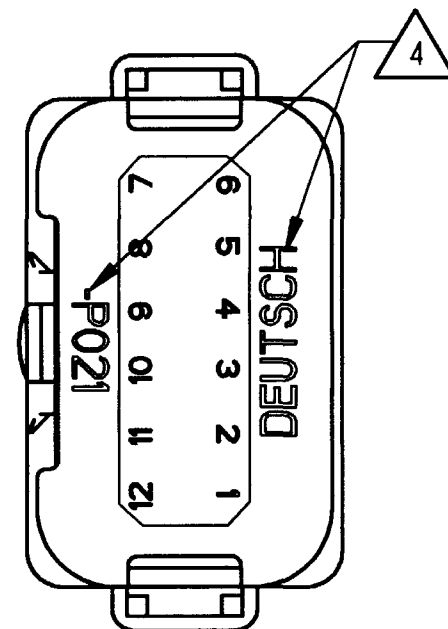
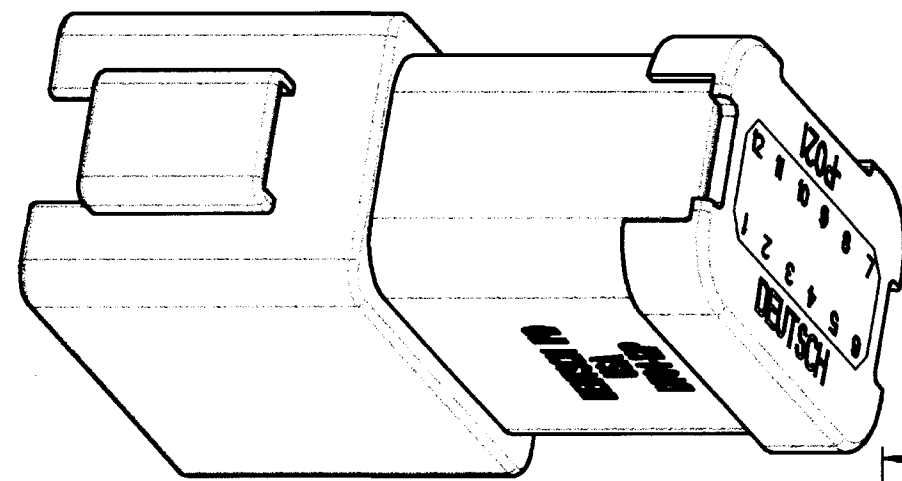


**3D VIEW**



REV  
A DT04-12PB-P021

REVISIONS			
SYM	DESCRIPTION	DATE	APPROVED
NC	NEW RELEASE PER E.O. P15921	7/27/99	J.E.N.
A	REVISION PER E.O. P16266	7/2/99	

5. THE 12 PIN BUSBAR HAS A MAXIMUM CURRENT RATING OF 76 AMPS.
4. ORIENTATION OF "DEUTSCH" AND "-P021" TO BE OPTIONAL.
3. THIS DT04-12PB-P021 MATES WITH DT06-12SB-\*\*\*\* (\*\*\*\* = ALL MODIFICATIONS). CONSULT FACTORY FOR MODIFICATIONS.
2. DIMENSIONS ARE ±.025[0.63] UNLESS OTHERWISE SPECIFIED.
1. DIMENSIONS ARE IN INCHES [MILLIMETERS].

NOTES:

SIGNATURE & DATE	
DR	M. GONZALEZ 8/20/99
CHK	7/2/99
PE	7/7/99
APPD	7/2/99
SCALE	NONE WT

DT 12 WAY RECEPTACLE  
KEY ARRANGEMENT -B-  
12 PIN BUSBAR-NICKEL PLATED  
COLOR: BLACK

ENVELOPE

CP	MATL. CODE
<b>The Deutsch Company</b> DEUTSCH I.P.D. 3850 INDUSTRIAL AVE. HEMET, CALIF. 92545	
<b>B</b>	<b>DT04-12PB-P021</b>
DWG SIZE	CODE SHEET   OF